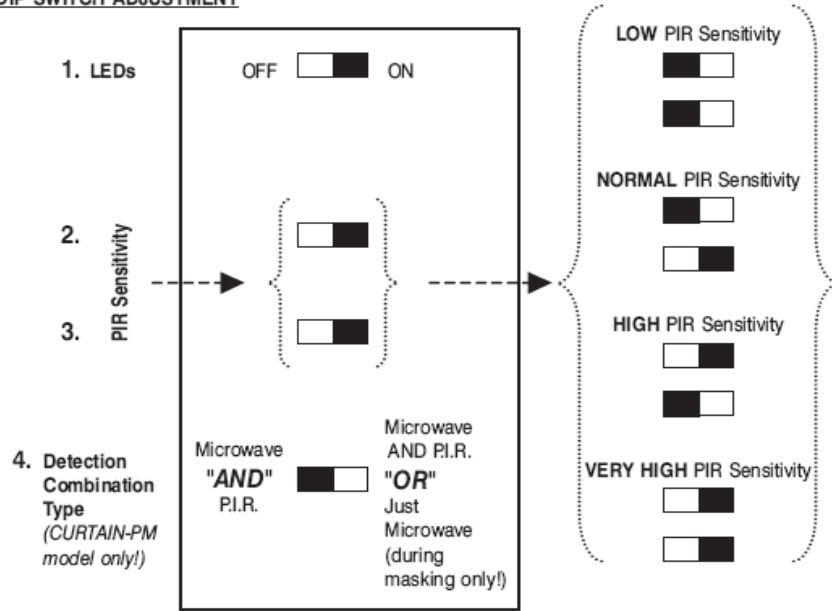
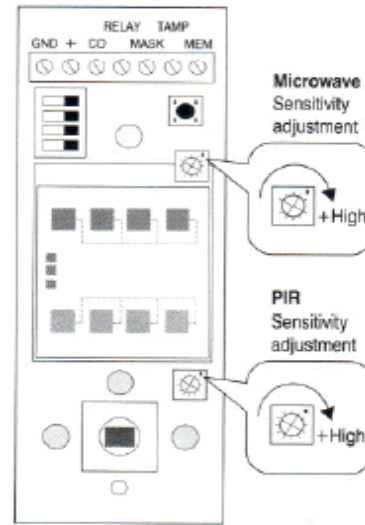


DOCUMENTAZIONE TECNICA - CURTAIN - DOPPIA TECNOLOGIA DA ESTERNO

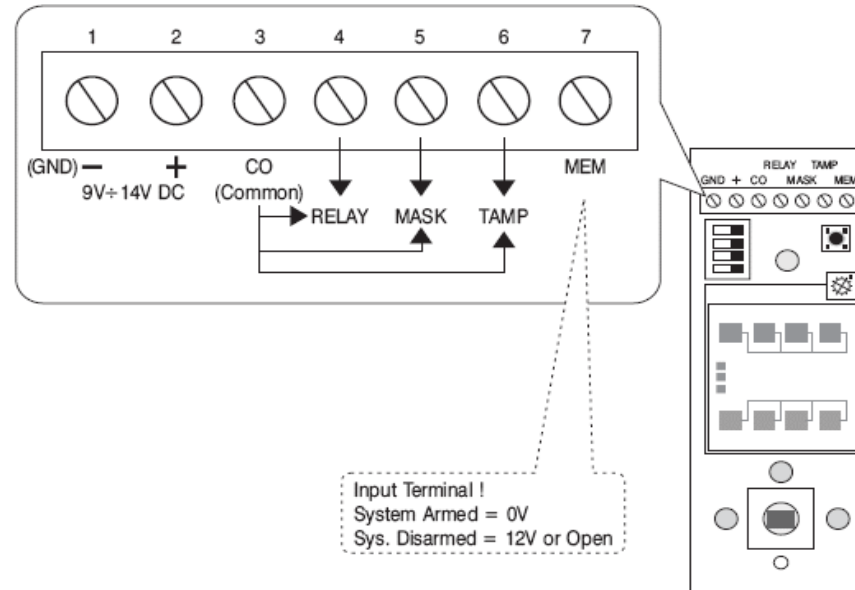
DIP SWITCH ADJUSTMENT



DETECTION SENSITIVITY ADJUSTMENT (in model CURTAIN-PM only!)



TERMINAL BLOCK WIRING



CURTAIN-PM operates its relays and LED indicators according to the type of detection as follows:

TYPE OF DETECTION	LED INDICATORS	RELAY STATUS
Alarm- True motion detection	Red + Green Blinking simultaneously	ALARM relay will activate for 2 seconds.
P.I.R. Detection	Red	No relay will operate
Microwave detection (model CURTAIN-PM only)	"AND" mode Green	No relay will operate
	"OR" mode Red + Green Blinking simultaneously (During masking only!)	ALARM relay will activate for 2 seconds (During masking only!)
Anti-masking detection	Orange Blinking	If masking persists for more than 90 seconds, the orange LED will glow continuously, and the "MASK" relay will operate for at least 2 seconds and for as long as the masking exists